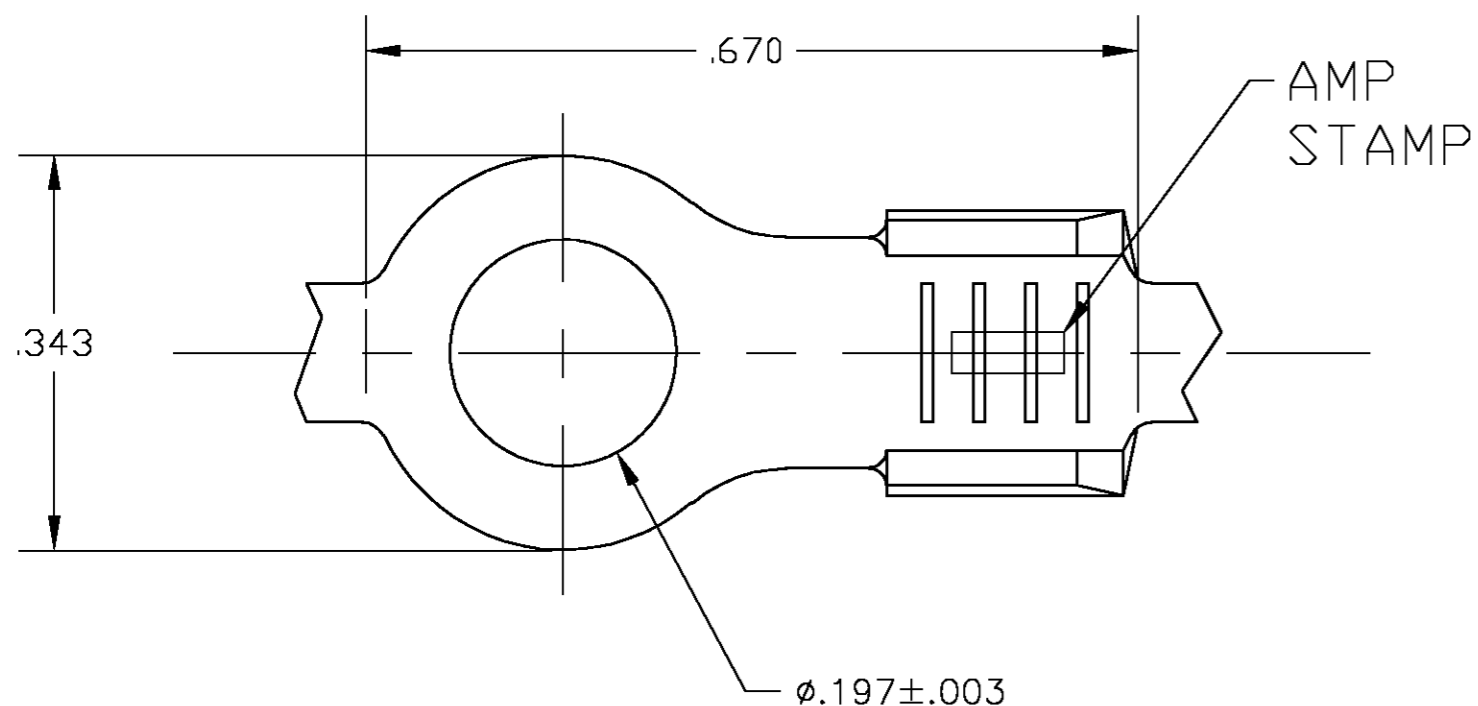
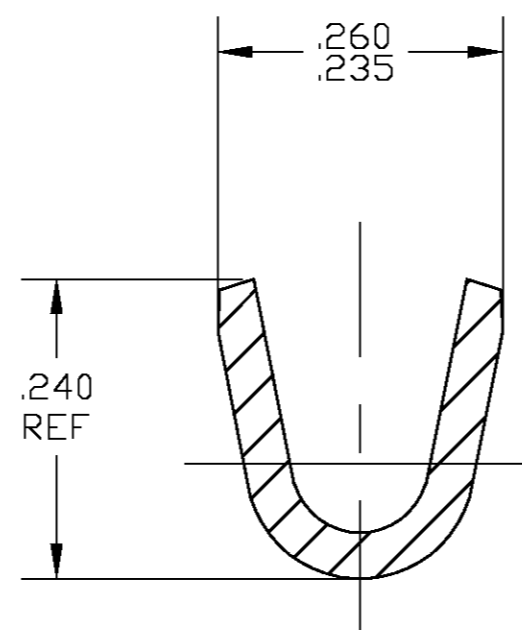
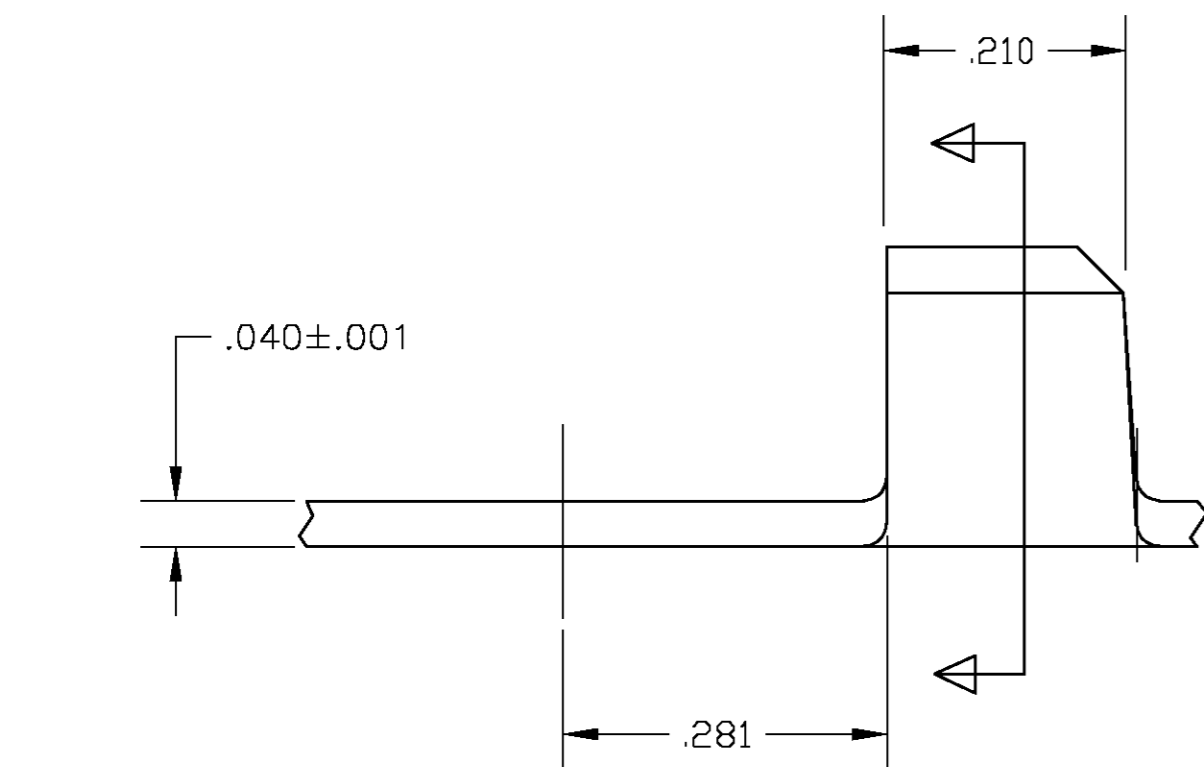


THIS DRAWING IS UNPUBLISHED. RELEASED FOR PUBLICATION
 © COPYRIGHT 64 BY TYCO ELECTRONICS CORPORATION. ALL RIGHTS RESERVED.

LOC	DIST	REVISIONS			
P	LTR	DESCRIPTION	DATE	DWN	APVD
AF	50	AA	REV PER 0G3A-0818-04	19OCT04	JR DD



- 1 CONTINUOUS STRIP ON REELS.
- 2 .000080 MIN TIN PLATE.



12-10 AWG	2	40524
WIRE RANGE	FINISH	PART NUMBER

THIS DRAWING IS A CONTROLLED DOCUMENT.		DWN 14FEB2002 MICHAEL S. FEHER	Tyco Electronics Corporation Harrisburg, PA	
DIMENSIONS: INCHES		CHK 14FEB2002 DONALD F. DECKER		
TOLERANCES UNLESS OTHERWISE SPECIFIED:		APVD 14FEB2002 DONALD F. DECKER	NAME TERMINAL, RING #10 STUD	
0 PLC ± - 1 PLC ± - 2 PLC ± - 3 PLC ± .010 4 PLC ± - ANGLES ± 1°		PRODUCT SPEC	SIZE CAGE CODE DRAWING NO A2 00779 C=40524	
MATERIAL O82 BRASS		FINISH SEE TABLE	WEIGHT -	RESTRICTED TO -
CUSTOMER DRAWING			SCALE 6:1	SHEET 1 OF 1 REV AA